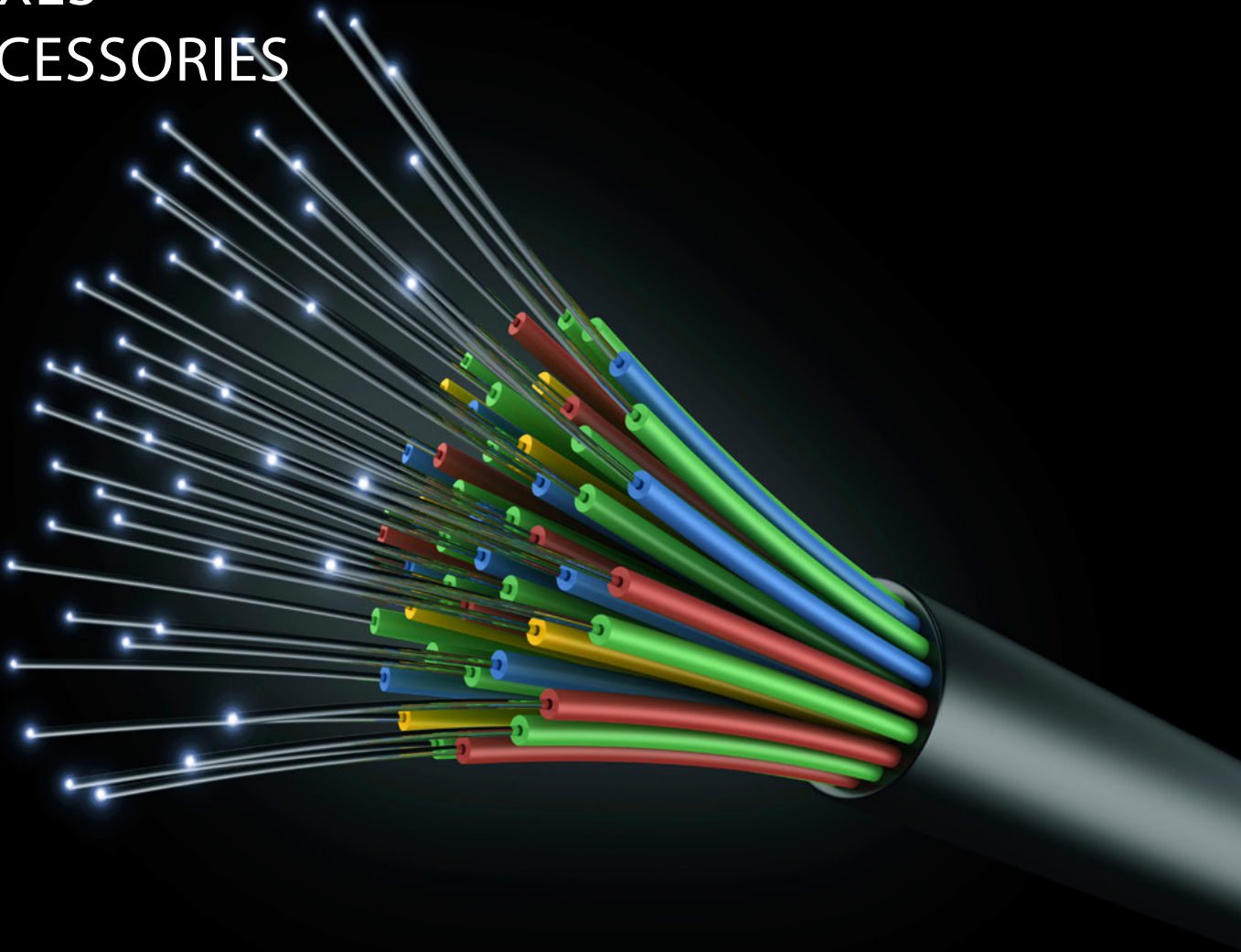


FIBER NETWORK

- RACKS
- CABINETS
- ODF
- BOXES
- ACCESSORIES





MP Systems AS was founded in 1965 in Lillesand, Norway.

Created as a plastic injection moulding facility, the Company evolved to satisfy the major Telecommunications OEMs requirements for flexible racks and cabinets.

Nowadays, both the manufacturing of racks in extruded aluminium and cabinets and enclosures, both in extruded aluminium and steel, have a high profile production site which can cope with demands for standard, semi-custom and custom products.

MP Systems is the brand name for all these products.

MP Systems AS: experience, flexibility and reliability.

Our company, now part of the MP Group, is always focused on customer satisfaction and we offer and make different solutions in order to satisfy all technological and applications needs.

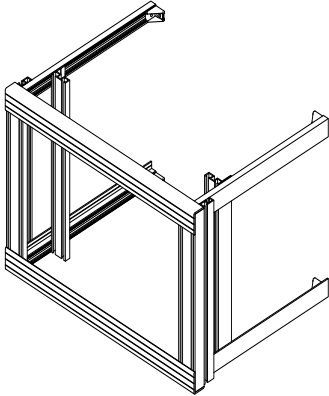
Since we have our own tool design and manufacturing, we have the opportunity to design and make special features for our customers.

Furthermore, in order to know more about our plastic moulding capabilities, do not hesitate to browse through the website of Verktøymakeren, the company in our Group which is fully focused on moulding tool design and production for both plastic and hard setting materials at: www.verktoymakeren.no

In addition to our own products we represent the following manufacturers:

CORNING	-	www.corning.com
Axelent Wire Tray AB	-	www.axelentwt.se
AS Harju ElekterTeleteknika	-	www.he.ee
Attema B.V.	-	www.attema.com

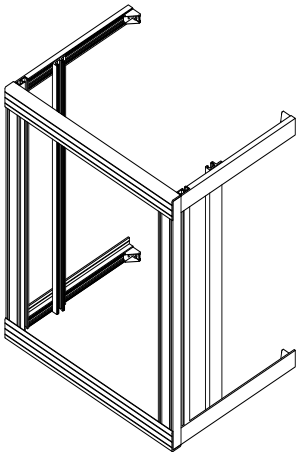
All of our racks are of high quality, and made of aluminium profiles (low weight). The system is very flexible(flexi) and you can define your own measures. Every rack can be provided for ETSI equipment.



FLEXI-RACKS

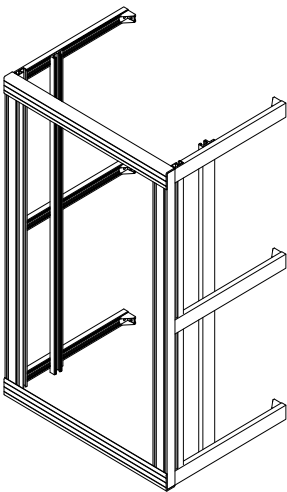
Art. no	Description	Dimension (H x W x D, mm)
MP252	Flexi racks, wallmounted, 19"	400 x 600 x 400
MP253	Flexi racks, wallmounted, 19"	600 x 600 x 400

This rack is made with extra profiles for mounting of 19"-equipment.



Art. no	Description	Dimension (H x W x D, mm)
MP250	FLEXI racks, wallmounted, ETSI	600 x 600 x 400
MP250-19	FLEXI racks, wallmounted, 19"	600 x 550 x 400

For front mounted equipment.

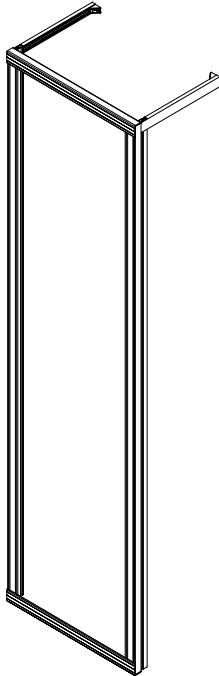


Art. no	Description	Dimension (H x W x D, mm)
MP251	FLEXI racks, wallmounted, ETSI	900 x 600 x 400
MP251-19	FLEXI racks, wallmounted, 19"	900 x 550 x 400

For front mounted equipment.

Every rack can be provided for ETSI equipment.

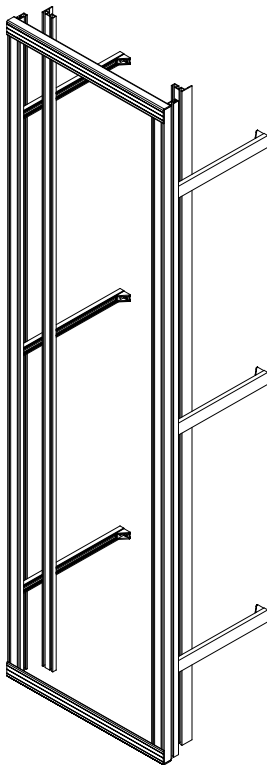
Other dimensions available; for example: high: 1800mm or 2000mm



FLEXI-RACKS

Art. no	Description	Dimension (H x W x D, mm)
MP242	Flexi racks, wallmounted, ETSI	2200 x 600 x 400
MP242-19	Flexi racks, wallmounted, 19"	2200 x 550 x 400
MP243	Flexi racks, wallmounted, ETSI	2740 x 600 x 400
MP243-19	Flexi racks, wallmounted, 19"	2740 x 550 x 400

For front mounted equipment.

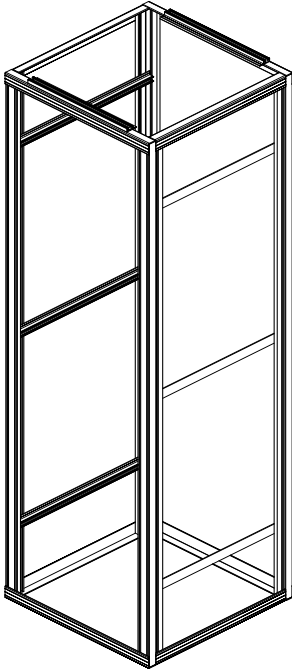


Art. no	Description	Dimension (H x W x D, mm)
MP256	FLEXI racks, wallmounted, 19"	2200 x 600 x 400
MP257	FLEXI racks, wallmounted, 19"	2740 x 600 x 400

This rack is made with extra profiles for mounting of 19"-equipment.

Every rack can be provided for ETSI equipment.

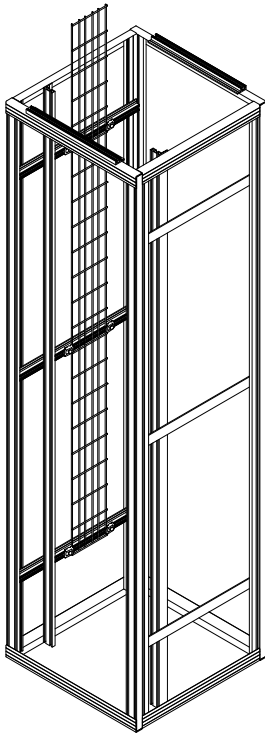
Other dimensions available; for example: high: 1800mm or 2000mm



FLEXI-RACKS

Art. no	Description	Dimension (H x W x D, mm)
MP239	Flexi racks, freestanding, ETSI	2200 x 600 x 800
MP239-19	Flexi racks, freestanding, 19"	2200 x 550 x 800
MP240	Flexi racks, freestanding, ETSI	2200 x 600 x 600
MP240-19	Flexi racks, freestanding, 19"	2200 x 550 x 600
MP241	Flexi racks, freestanding, ETSI	2740 x 600 x 600
MP241-19	Flexi racks, freestanding, 19"	2740 x 550 x 600

For front mounted equipment.

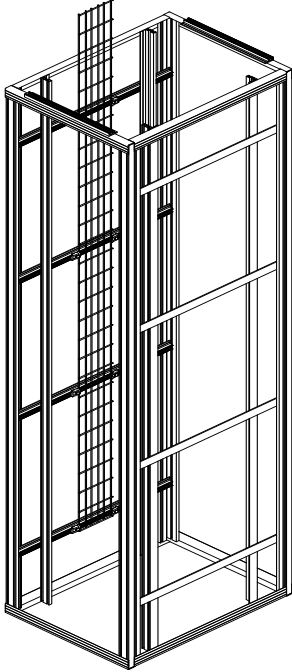


Art. no	Description	Dimension (H x W x D, mm)
MP246	FLEXI racks, freestanding, 19"	2200 x 600 x 600
MP247	FLEXI racks, freestanding, 19"	2740 x 600 x 600
MP248	FLEXI racks, freestanding, 19"	2220 x 600 x 400
MP249	FLEXI racks, freestanding, 19"	2740 x 600 x 400

This rack is made with extra profiles for mounting of 19"-equipment.

Every rack can be provided for ETSI equipment.

Other dimensions available; for example: high: 1800mm or 2000mm

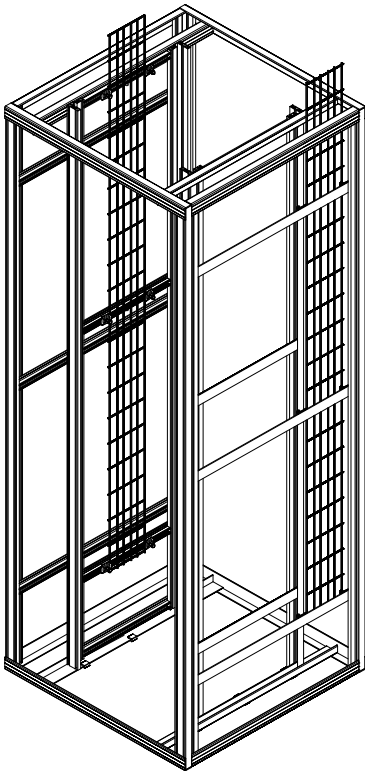


FLEXI-RACKS

Art. no	Description	Dimension (H x W x D, mm)
MP244	Flexi racks, freestanding, 19"	2200 x 600 x 800
MP245	Flexi racks, freestanding, 19"	2740 x 600 x 800

This rack is made with extra profiles for mounting of 19"-equipment.

Equipment can be mounted from 2 sides.



Art. no	Description	Dimension (H x W x D, mm)
MP350	FLEXI racks, freestanding, 19" / ETSI	2200 x 800 x 800
MP351	FLEXI racks, freestanding, 19" / ETSI	2740 x 800 x 800
MP310	FLEXI racks, freestanding, 19" / ETSI	2200 x 800 x 1000
MP311	FLEXI racks, freestanding, 19" / ETSI	2740 x 800 x 1000
MP312	FLEXI racks, freestanding, 19" / ETSI	2200 x 800 x 900
MP313	FLEXI racks, freestanding, 19" / ETSI	2740 x 800 x 900

This rack is made with extra profiles for mounting of 19" / ETSI equipment.

Equipment can be mounted from 2 sides.

Every rack can be provided for ETSI equipment.

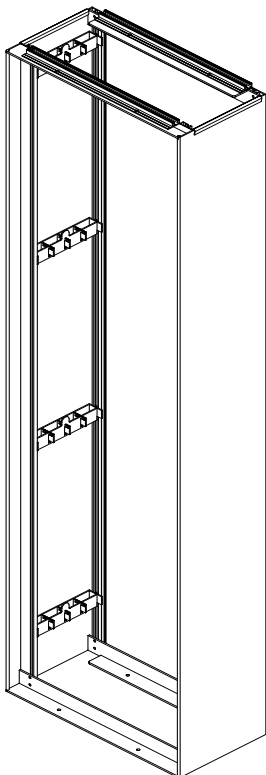
Other dimensions available; for example: high: 1800mm or 2000mm



FLEXI-RACKS

Art. no	Description	Dimension (H x W x D, mm)
MP352	Flexi racks, freestanding, 19"	2200 x 800 x 600
MP353	Flexi racks, freestanding, 19"	2740 x 800 x 600
MP354	Flexi racks, freestanding, 19"	2200 x 800 x 400
MP355	Flexi racks, freestanding, 19"	2740 x 800 x 400

This rack is made with extra profiles for mounting of 19" / ETSI equipment.



With 300 mm deep profile for ETSI equipment.

ETSI-RACKS

Art. no	Description	Dimension (H x W x D, mm)
MP215	ETSI rack, freestanding, ETSI	2200 x 600 x 300
MP215-19	ETSI rack, freestanding, 19"	2200 x 550 x 300
MP216	ETSI rack, freestanding, ETSI	2740 x 600 x 300
MP216-19	ETSI rack, freestanding, 19"	2740 x 550x 300

This is a system for termination and administration of a large number of fibers. The system consists of an aluminum framework with vertical administration of optical patch-cords.

In this framework you can use ODF-modules from MP Systems.

As much as 960 fibers may be terminated and administrated over a highth of 2200 mm.

(By using 24 pcs. of LC quad adapters in each ODF as much as 1920 fibers may be terminated and administrated in one rack with height 2200 mm.)

All patch-cords for cross-connection to the active equipment may have the same length.

Groups of patch-cords can be organized in the «fork». Both the «fork» and the mandrel may be slid up and down.

The lock on the mandrel is removeable.

The racks are available in 3 different hights: 1800 mm 2000 mm and 2200 mm. Other hights are available on request.

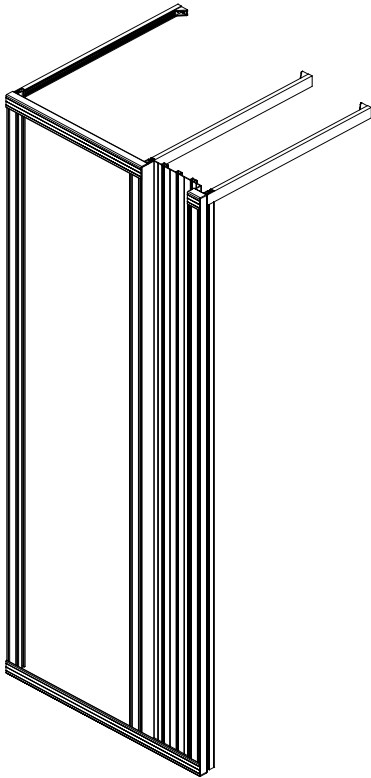
The racks are delivered in different kind of «packages»



Other dimensions available; for example: high: 1800mm or 2000mm

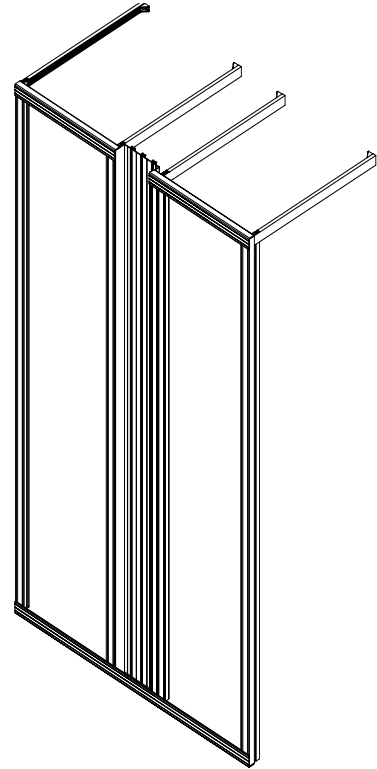
Art. no	Description	Dimension (H x W x D, mm)
MP330	Flexi FR rack wallmounted, 1x19"	2200 x 800 x 600

With sideorganizer.



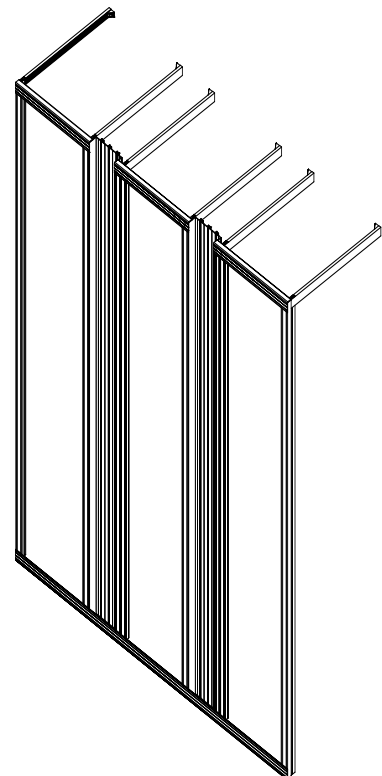
Art. no	Description	Dimension (H x W x D, mm)
MP331	Flexi FR rack wallmounted, 2x19"	2200 x 1289 x 600

With sideorganizer.



Art. no	Description	Dimension (H x W x D, mm)
MP332	Flexi FR rack wallmounted, 3x19"	2200 x 2089 x 600

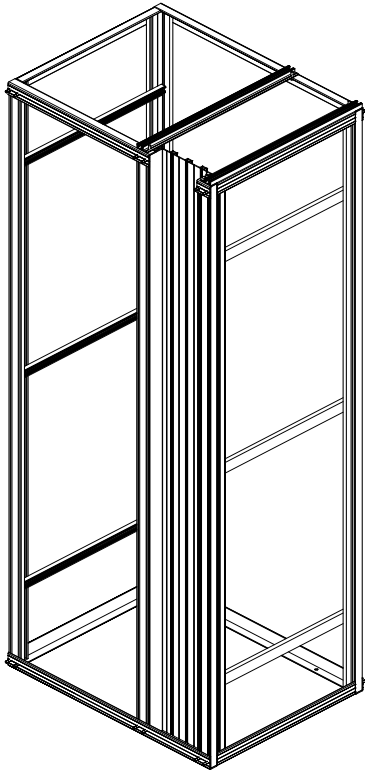
With sideorganizer.



Other dimensions available; for example: high: 1800mm or 2000mm

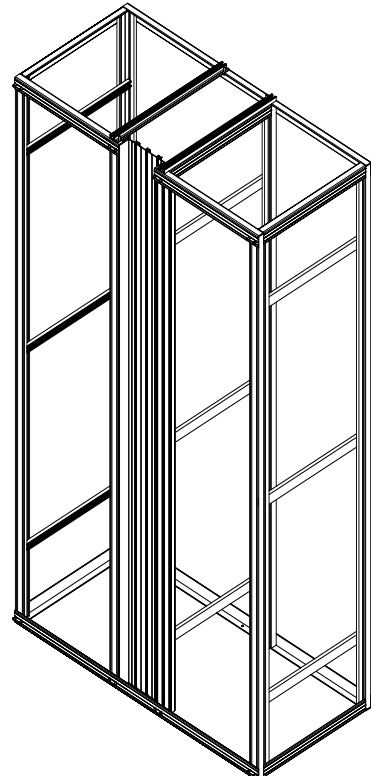
Art. no	Description	Dimension (H x W x D, mm)
MP333	Flexi FR rack freestanding, 1x19"	2200 x 800 x 600

With sideorganizer.



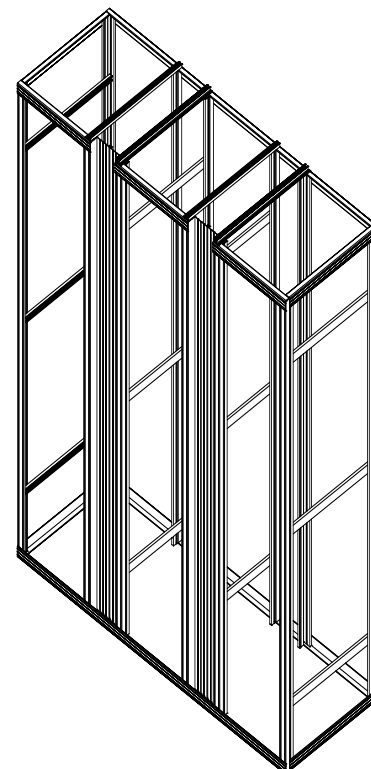
Art. no	Description	Dimension (H x W x D, mm)
MP334	Flexi FR rack freestanding, 2x19"	2200 x 1289 x 600

With sideorganizer.



Art. no	Description	Dimension (H x W x D, mm)
MP335	Flexi FR rack freestanding, 3x19"	2200 x 2089 x 600

With sideorganizer.



We have developed a brand new series of cabinets/racks based on steel cabinets combined with our FLEXI aluminium solutions, HYBRID FLEXI-RACK.

By using our aluminium profiles in the steel cabinet you will achieve a unique flexibility.

Who has not experienced problems with wall cabinets where the equipment are mounted so close to the opening that the cables or patchcords are pressed against the door? This problem also influences their bending radius. Our profiles are adjustable in depth and can, therefore, be adapted to the individual needs.

The series consists of:

- 12U Wall cabinet, H=600mm x W=600mm x D=400mm
- 12U Wall cabinet, H=600mm x W=600mm x D=600mm
- 42U Floor cabinet, H=2025mm , W=600mm, D=650mm
- 42U Floor cabinet with side profile for cables and patchcords management and storage, H=2025mm, W=800mm, D=650mm

All are designed for mounting of 19" equipment and accessories.

All cabinets come in light grey color, RAL 7035, with tinted glass front door.

In the cabinets you can use all our accessories such as cable guides, mandrels, power outlet, shelves, etc.

- 19" wall cabinet with flexi profiles.
- Color: light grey, RAL 7035.
- Tinted glass front door with lock.
- Cable entry on top and bottom.
- Passively vintilated side panels.
- For storage of modems, see our shelves for modem support which also solve overheating problems.



FLEXI HYBRID RACKS

Art. no	Description	Dimension (H x W x D, mm)
MP412	19" wall cabinet	600 x 600 x 400
MP439	19" wall cabinet	600 x 600 x 600





- The cabinet comes complete with 4 vertical fastening profiles to allow the fixing of equipment and accessories both at the front and at the rear side of inner cabinet.
- Color: Light grey, RAL 7035.
- Tinted glass front door with lock.

FLEXI HYBRID RACK

Art. no	Description	Dimension (H x W x D, mm)
MP391	19" cabinet	2025 x 600 x 650



- 19" floor cabinet with side profile for cable management and storage.
- Color: Light grey, RAL 7035.
- Tinted glass front door with lock.
- Supplied with fan mounted on top panel complete with power cord.
- 2 cable entries on top panel.

FLEXI HYBRID RACK

Art. no	Description	Dimension (H x W x D, mm)
MP397	19" cabinet with side profile	2025 x 800 x 650



- 2 x -19" floor cabinet with side profile for cable management and storage.
- Color: Light grey, RAL 7035.
- Tinted glass front door with lock.
- Supplied with fan mounted on top panel complete with power cord.
- 2 cable entries on top panel.



FLEXI HYBRID RACK

Art. no	Description	Dimension (H x W x D, mm)
MP449	2 x 19" cabinet with side profile	2025 x 1400 x 650





The box is made in plastic and wi-fi will operate without interruptions.

The box is developed for broad-band installations.

You may store all equipment needed for your network, like modem (wireless), patch-panel, switch, ONT, fiber termination box, power outlet etc.

Example:



Article no.	Description	Dimension (W x H x D, mm)
MP360	All-in-one-box	330 x 480 x 140

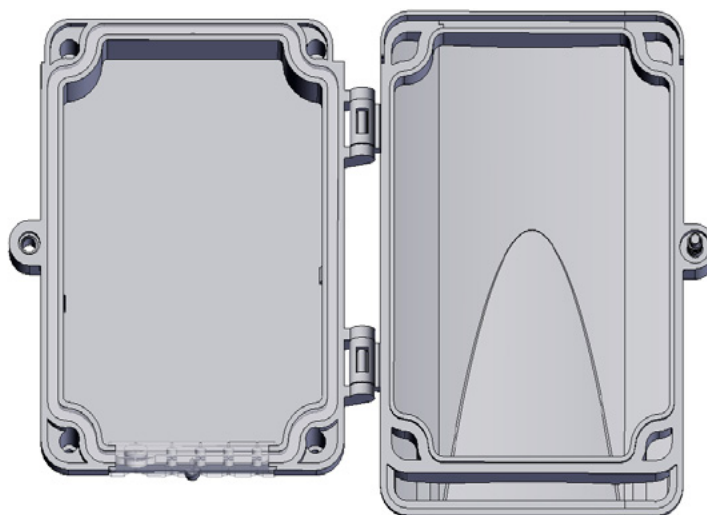
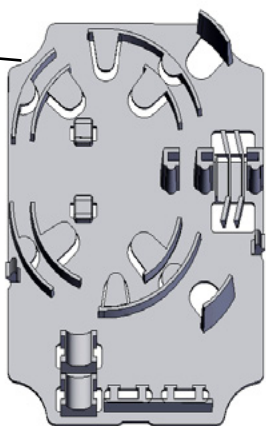


The box is for the end termination outside residential buildings.

For splicing or with adapters and patchcords.

Ready for 2 pcs. SC-simplex/LC-duplex or 2 pcs. of SC-duplex/LC-quad adapters.

Splice cassette



Incoming cable diameter: Ø 7-10 mm

Outgoing cables: max. 4 cores.

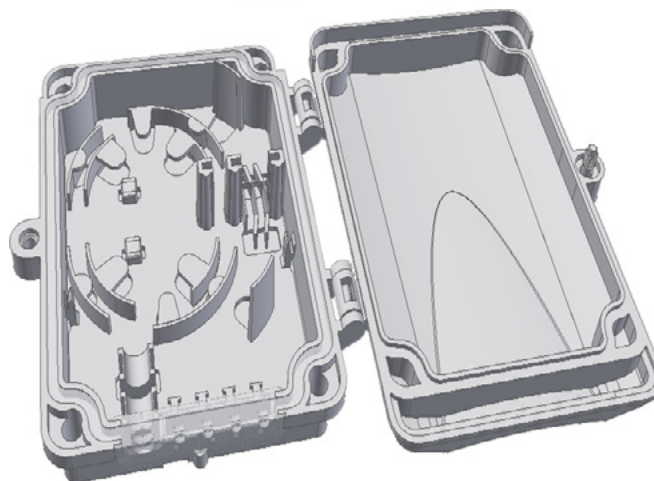
IP 54

Made of high resistant plastic.

With Torx safety pin T30.

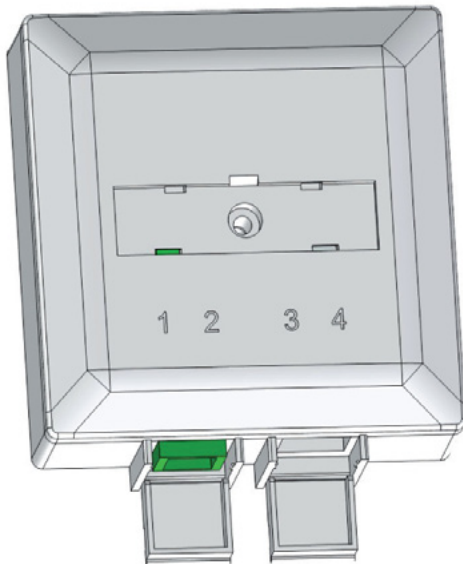
Incl. splice-cassette with space for PLC-splitter 1:4.

Possible to order for DIN fixing.



Articleno.	Description	Dimension (W x H x D, mm)
MP469	Distribution box, outdoor	145 x 175 x 43

The FTTH Wall outlet for surface mounting is equipped for a capacity of 2 SC-simplex or 2 LC-duplex adapters and maximum of 4 pigtails.



1. Base plate of metal:

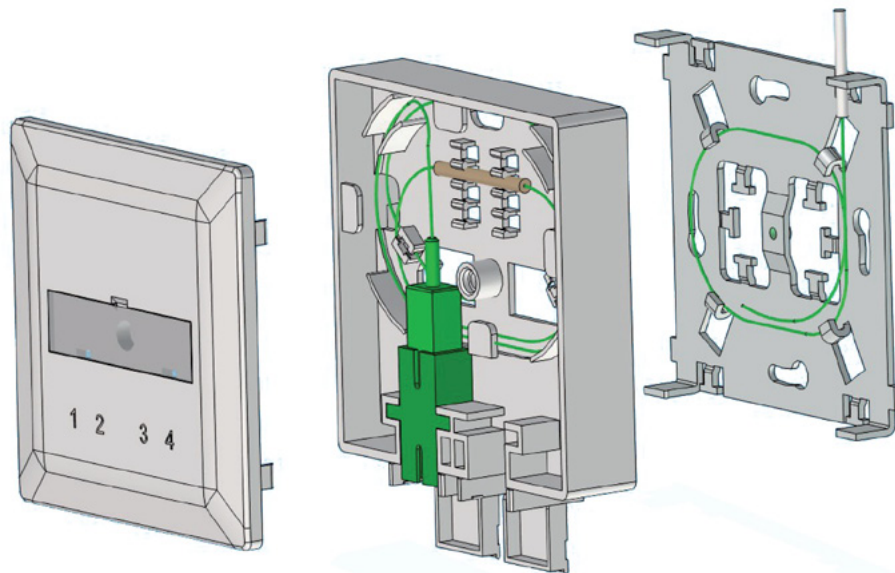
- cable entry 360° or from the backside, so you can assemble the outlet on a in-wall or hole-wall socket
- strain relief of cable
- possible to coil the left over lengths

2. Fiber optic splice connection box:

- 4 splice holders/ optional 4 crimp splice holders
- fiber management
- for 2 SC-simplex or 2 LC-duplex adapters
- hinged and re-usable dust caps

Blind cover:

- color: white
- lexan cover for labeling
- seal for locking



Article no.	Description	Dimension (W x H x D, mm)
MP399	FTTH Wall outlet	80 x 80 x 24

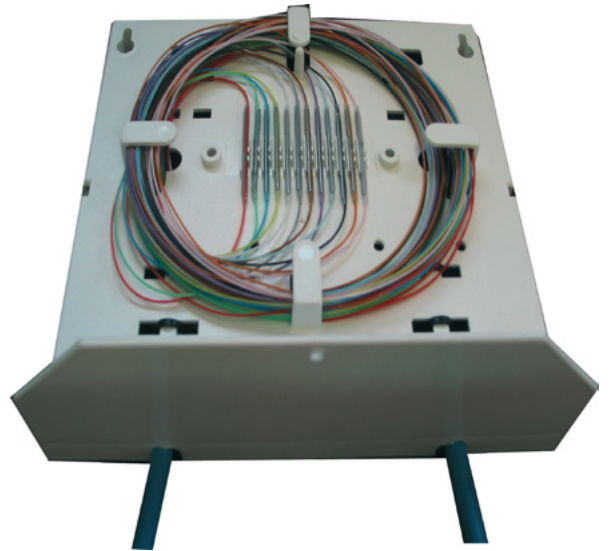
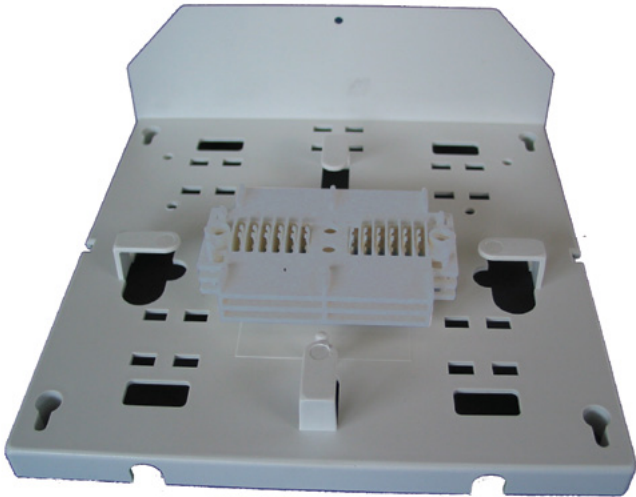


Patch-box with unique design.
8 ports RJ45 cat. 6 unshielded.

Material: Polycarbonate V0

Colour: Grey RAL 7035

Article no.	Description	Dimension (W x H x D, mm)
MP233	Patch box, 8 RJ45	191 x 188 x 68



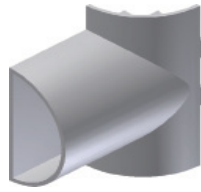
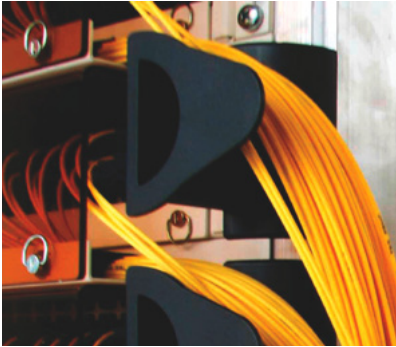
For indoor use only.

Up to 48 splices.

Material: Polycarbonate V0

Colour: Grey RAL 7035

Article no.	Description	Dimension (W x H x D, mm)
MP235	Splice box for up to 48 splices	191 x 188 x 68



Art. no	Description
MP318	Radie Limiter 180° (1/2moon), 2U



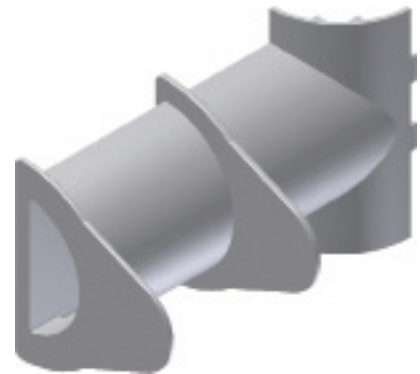
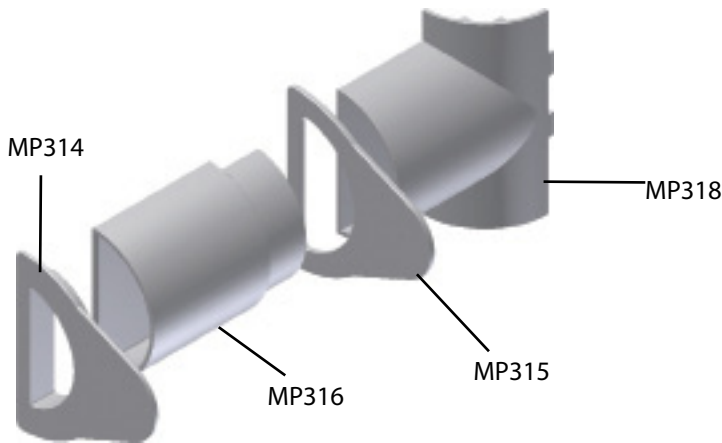
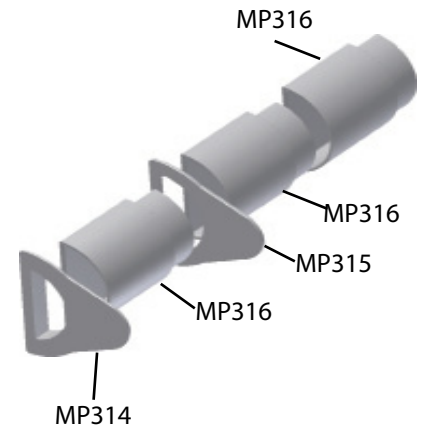
Art. no	Description
MP314	Top lid/ rib for radie limiter 180°, 2U



Art. no	Description
MP315	Rib/ divider for radie limiter 180°, 2U



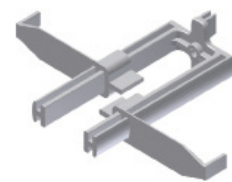
Art. no	Description
MP316	Radie Limiter 180° (1/2 moon), 2U (Alone or joint together)



Art. no	Description
MP317-L	Radie Limiter 90° (1/4 moon), Left



Art. no	Description
MP317-R	Radie Limiter 90° (1/4 moon), Right

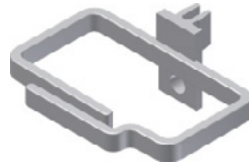


Art. no	Description
MP319	Double transfer ring, "fork"

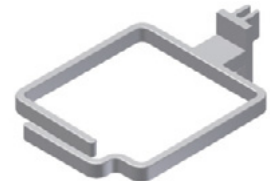
ACCESSORIES CABLE GUIDE



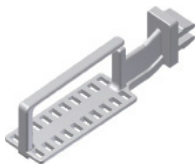
Art. no	Description
MP207	Transfer ring



Art. no	Description
MP214	Small transfer ring (70*50mm)



Art. no	Description
MP309	Large transfer ring (70*100mm)



Art. no	Description
MP267	Fiber guide, 1/2U

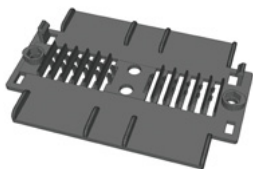


Art. no	Description
MP266-19	Cable guide unit, 1/2U, 19"
MP266	Cable guide unit, 1/2U, ETSI



Art. no	Description
MP264	Cable guide unit, 1U, 19"
MP265	Cable guide unit, 1U, ETSI

ACCESSORIES ODF



Art. no	Description
MP346	Splice holder (12 fibers)



Art. no	Description
MP344	Fiber guide (inside panel)



Art. no	Description
MP349	Fixing-nut



Art. no	Description
MP277	Fiber reel, can be divided into two segment reels

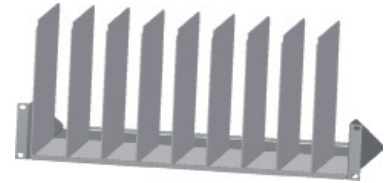
ACCESSORIES



Art. no	Description
MP276	Shelf, for 19" and ETSI, D=240mm



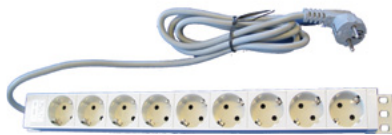
Art. no	Description
MP278	Shelf, for 19" and ETSI, D=300mm



Art. no	Description
MP213	(Modem)Support for shelf (MP276 and MP278)



Art. no	Description
MP224-19	Shelf for heavy loads, batteries etc. D=500mm



Art. no	Description
MP270	Power supply, 19", 230V, 9 outlets



Art. no	Description
MP470	Mounting foot for DIN rail



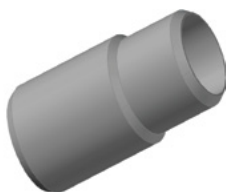
Art. no	Description
MP307	Earth/ Grounding for racks.



Art. no	Description
777	Special spring-nut for sliding in the racks, M6



Art. no	Description
840	Plastic sliding nut, M6



Art. no	Description
MP275	Adapter for FOSC

48 Vdc power distributor for 600 mm ETSI and 19" equipment racks.

TELMA AS and MP Systems AS have developed a new CE-marked power distributor for mounting in standard equipment racks. The distributor may also be mounted on the wall.

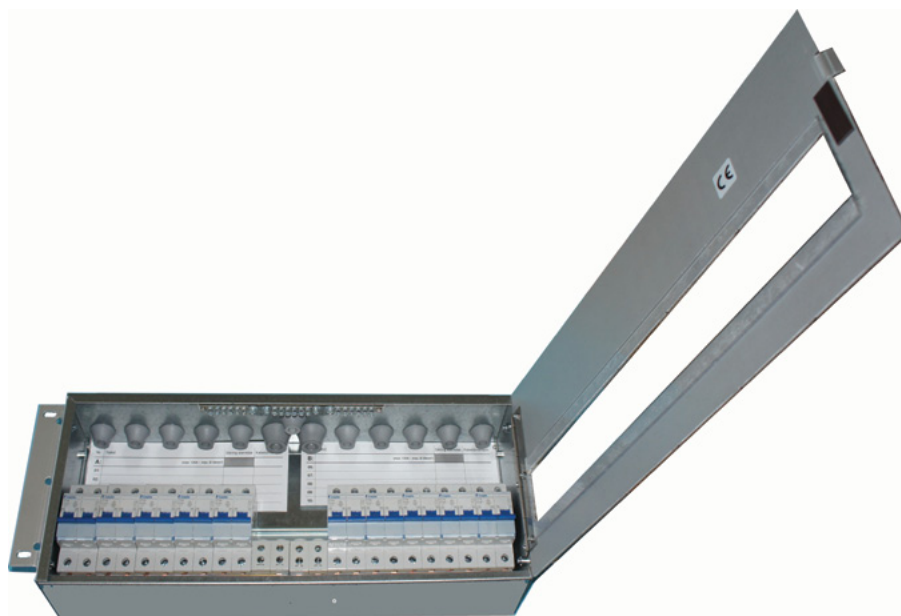
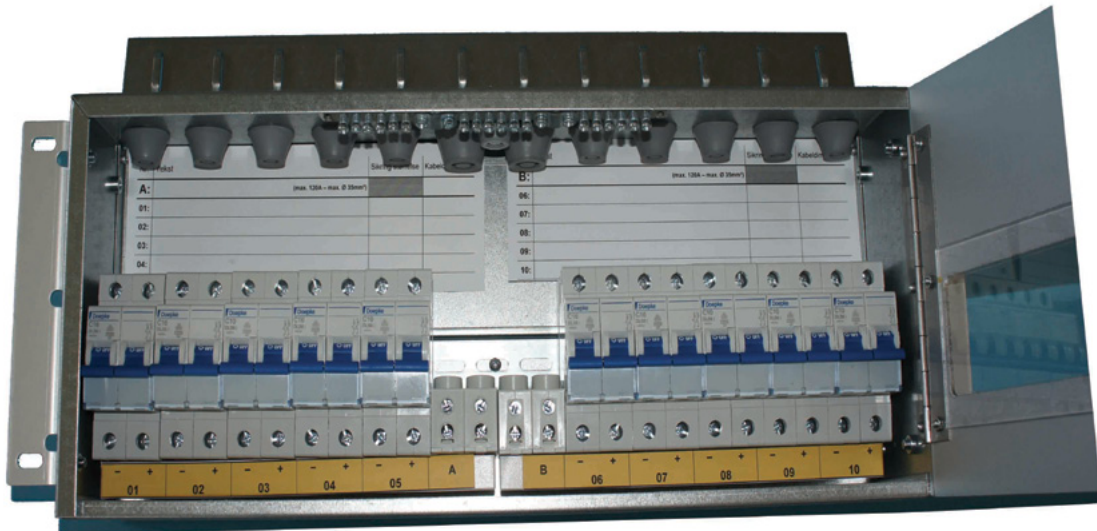
Installation practice for smaller telecom units (e.g. SDH, WDM and DSLAM) mounted in miscellaneous ETSI racks or 19" equipment racks, is that two separate power circuits (A and B) are run from the main power distributor to the equipment rack-top. Inside the rack, the power is distributed in separate circuits to each subrack.

- The distributor subrack may be mounted in either 600 mm ETSI or 19" racks by turning the mounting brackets.
- By moving the mounting brackets to the rear, the distributor subrack can be mounted on the wall or to the rear mounting flanges of deeper racks.
- All input and output power cables are inserted from the top via rubber nipples. The cables shall be fixed by strips to the attachment rail behind the rubber nipples.

The power distributor may also be used for 230 Vac circuits.

When this power distributor is mounted in a miscellaneous ETSI rack from MP Systems AS (i.e. MP215/MP216), the horizontal L-profile in the front of the rack-top may be removed. This gives better access to the power cables, and will in addition give better conditions for the fibre optic cables if they have to run in the front of the rack's mounting flanges (e.g. with the special designed fibre guiding guards MP214). Please notice that the top horizontal L-profile should not be removed until the rack is mounted and properly fastened to the station's mechanical overhead structure.





Art. no	Description	
MP209-1	Power distributor, 48 Vdc, 2 pole	2x(1/32A, 1/16A, 3/10A)
MP209-2	Power distributor, 48 Vdc, 2 pole	2x(2/16A, 3/10A)
MP209-3	Power distributor, 48 Vdc, 2 pole	2x(1/25A, 1/16A, 3/10A)
MP209-4	Power distributor, 48 Vdc, 2 pole	2x(5/16A)
MP209-5	Power distributor, 48 Vdc, 2 pole	2x(5/10A)
MP209-6	Power distributor, 48 Vdc, 2 pole	2x(1/20A, 1/16A, 3/10A)
MP209-7	Power distributor, 48 Vdc, 2 pole	2x(2/32A, 1/10A, 2/6A)
MP209-X	Power distributor, 48 Vdc, 2 pole	YOUR CHOICE!



MP SYSTEMS AS
POSTBOKS 4/ N-4791 LILLESAND
T: [47] 37 26 98 80
MP@MP.NO / WWW.MP.NO



MP SYSTEMS GMBH
OTTO-KRAFFKE-STR. 11/ D-36179 BEBRA
T: [49] (0) 6621 917290
INFO@MPSYSTEMS.EU / WWW.MPSYSTEMS.EU